

## Notes on Transporting an Underwater Light on an Airplane

Underwater lights for scuba diving fall under “Transporting Dangerous Goods by Air” specified in the Japanese Civil Aeronautics Act. In order to transport your underwater light on an airplane, it is required that the part which produces heat be separated from the battery. It is also required that the batteries be prevented from causing short circuits.

(Please see “Diving Lamps” in “Other Items” at <http://www.mlit.go.jp/common/000993851.pdf>.)

Although our underwater lights are not designed to allow you to remove only the lithium ion batteries, you can remove the light module from the side of the battery module unit which incorporates a battery. By removing the light module and attaching the provided insulation cap to the battery side, you will be able to carry our underwater light on board an airplane.

- The battery has built-in short circuit prevention circuits.
- Attaching the insulation cap to the battery module prevents accidental operation during transportation.

### Specifications of the battery modules and rated values of the lithium ion batteries

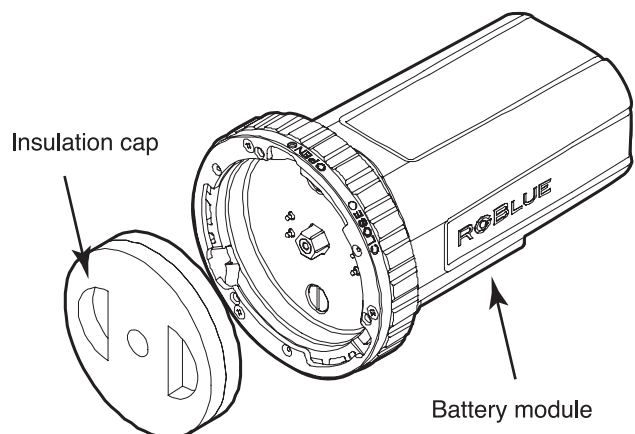
Product name	Battery module model number	Weight (g)	Voltage (V)	Capacity (mAh)	Power consumption (W/h)	Specification	Battery type
System01	BM3100G	420	7.4	3100	23	Rechargeable built-in type	Lithium ion (incorporating short circuit prevention circuits)
System01-2	BM3400B	420	7.2	3350	24	Rechargeable built-in type	Lithium ion (incorporating short circuit prevention circuits)
System02	BM6200G	565	7.4	6200	46	Rechargeable built-in type	Lithium ion (incorporating short circuit prevention circuits)
System02 PREMIUM COLOR	BM6200G	565	7.4	6200	46	Rechargeable built-in type	Lithium ion (incorporating short circuit prevention circuits)

#### What you need to do:

- 1) After removing the light module and battery module, attach the insulation cap.

The battery has built-in short circuit prevention circuits. Attaching the insulation cap to the battery module prevents accidental operation during transportation.

- 2) When you are going to go on a trip with your underwater light, we recommend that you bring the instruction manual provided with your underwater light and a print-out of this file.



AOI Japan Co., Ltd.

Address: 2F, Park Tower Yokohama Portside 2-1 Kinko-cho, Kanagawa-ku, Yokohama, Kanagawa, Japan

Zip Code: 221-0056 TEL: +81-45-441-0125

E-mail: [info@aoi-jp.biz](mailto:info@aoi-jp.biz) <http://www.rgblue.jp>